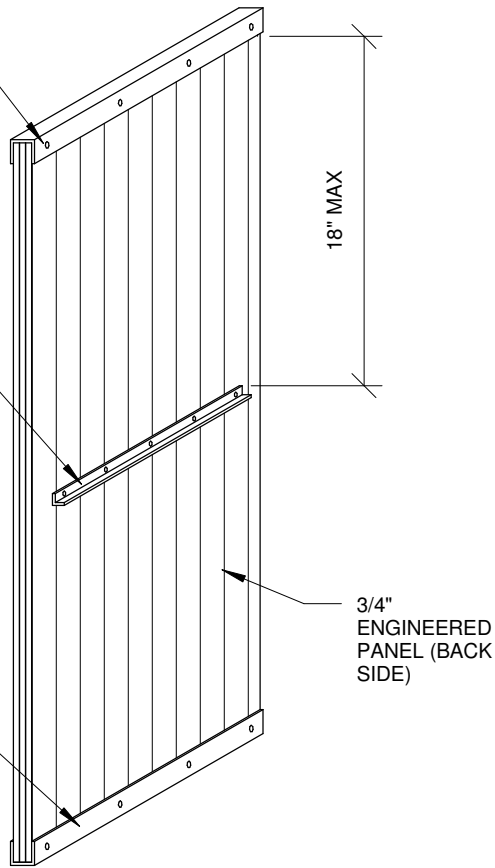


5/8" PAN HEAD WOOD
SCREWS, 1" FROM EDGE,
6" O.C.

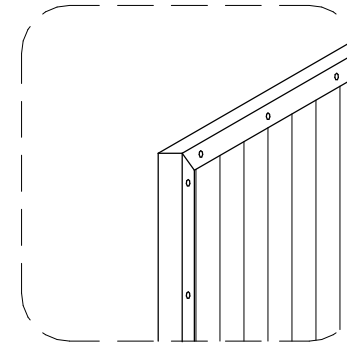
3/4" X 3/4" X 1/8"
ARCHITECTURAL
ALUMINUM ANGLE /
CHANNEL / TEE BAR

1" X 1" X 1/8"
ARCHITECTURAL
ALUMINUM CHANNEL /
ANGLE

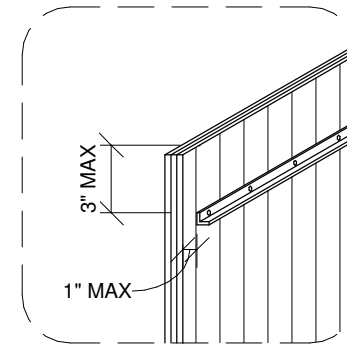


18" MAX

3/4"
ENGINEERED
PANEL (BACK
SIDE)



MITERED CORNER



HIDDEN STIFFENER

INSTALLATION SUGGESTIONS TO REDUCE CUPPING WHEN USING 3/4"
ENGINEERED PANEL WITHOUT A SOLID BACKER, F.E. AS CABINET DOORS

Windfall Lumber



CLIENT

3/4" Engineered Panel
Cabinet Door Suggestions

SHEET DATA

DRAWN BY: GAB

SCALE: AS NOTED

DATE: 1/13/2014

PROJECT:

SHEET NUMBER

A1

OF

1 3/4" Engineered Panel as Cabinet Door
1 1/2" = 1'-0"